



OBJEKT "DUPLO"



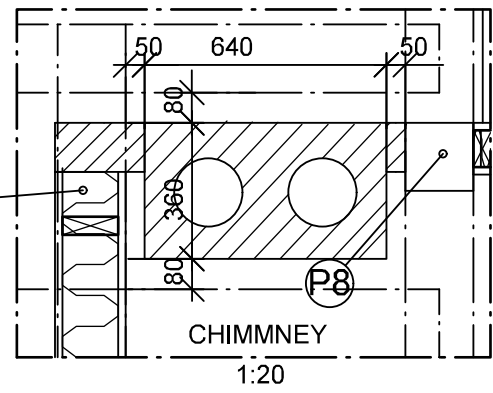
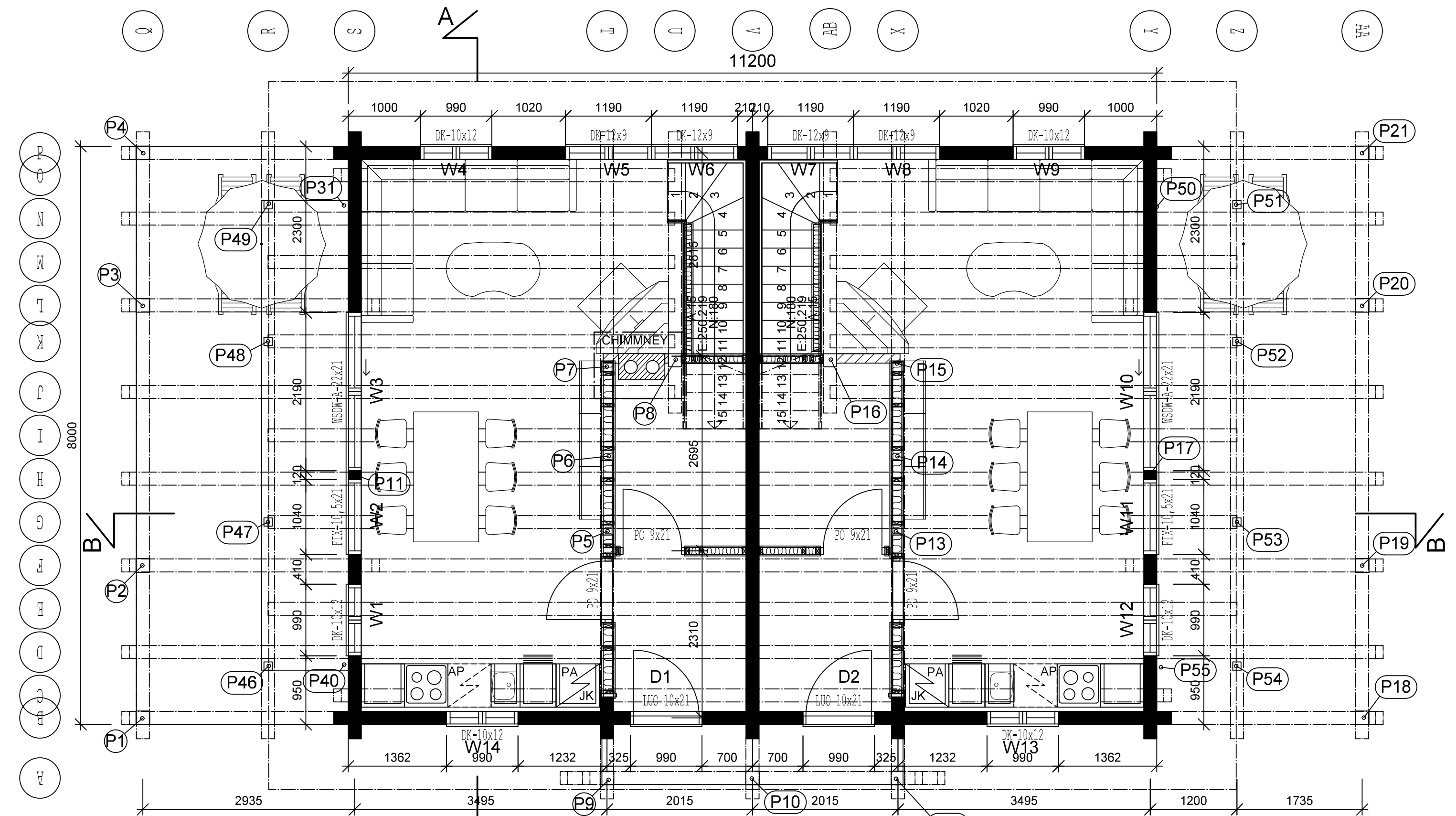
OBJEKT "DUPLO"



OBJEKT "DUPLO"

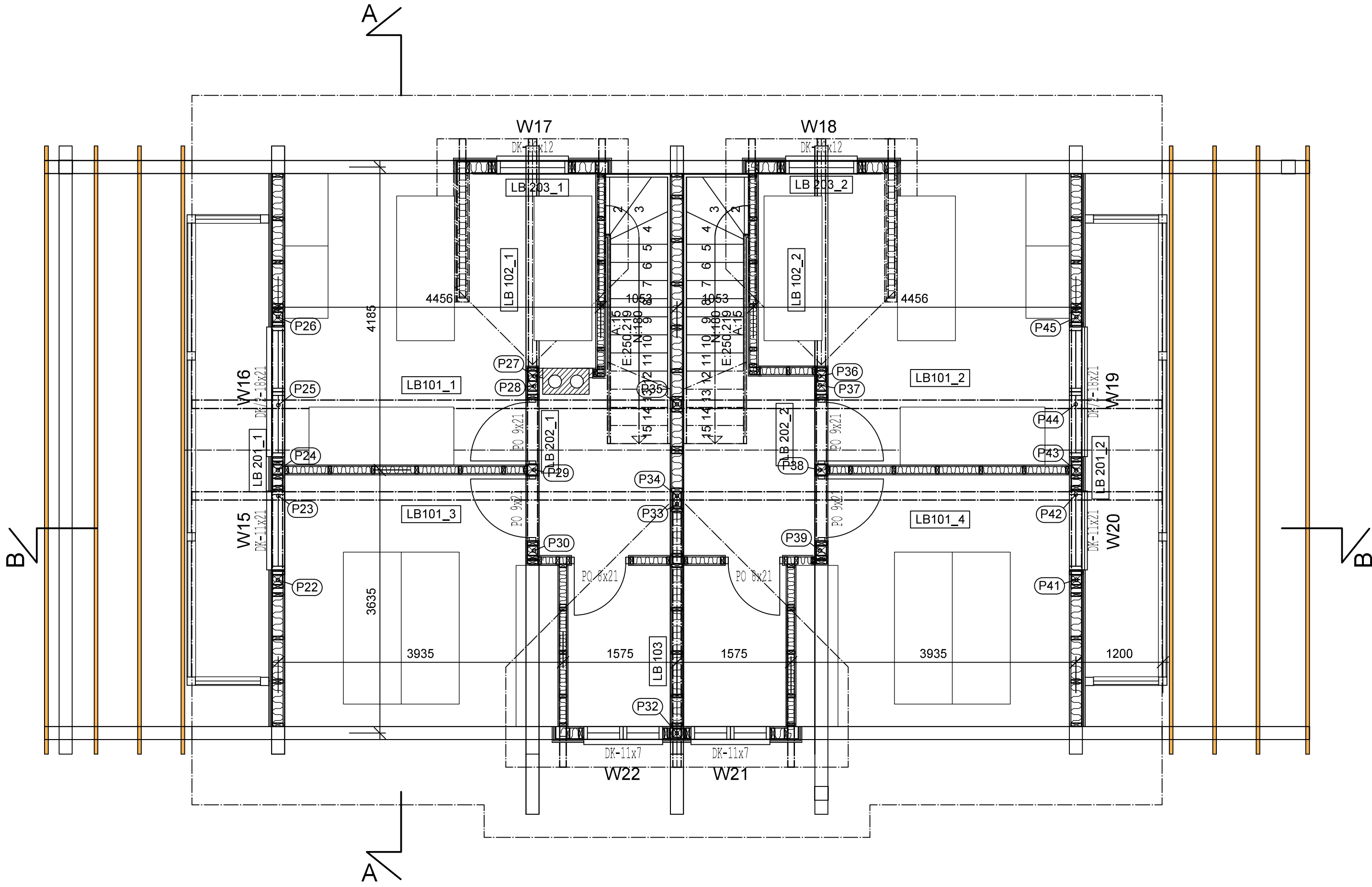


OBJEKT "DUPLO"



LAMINATED POSTS			
P31, P40, P46-P55	LP 115x115	L=1150	PCS=12
P23, P25, P42, P44	LP 115x115	L=1267	PCS=4
P34, P35	LP 115x115	L=3000	PCS=2
P33	LP 115x115	L=3090	PCS=1
P32	LP 115x115	L=2880	PCS=1
P22, P24, P26, P41, P43, P45	LP 140x140	L=1327	PCS=6
P28, P30, P29, P37, P38, P39	LP 140x140	L=3520	PCS=6
P5, P6, P7, P13, P14, P15	LP 140x140	L=2290	PCS=6
P27, P36	LP 140x140	L=3465	PCS=2
P8, P16	LP 186x186	L=2290	PCS=2
P9, P10, P12	LP 186x186	L=2400	PCS=3
P1, P2, P3, P4, P18, P19, P20, P21	LP 186x186	L=2300	PCS=8
P11, P17	LP 90x90	L=2080	PCS=2

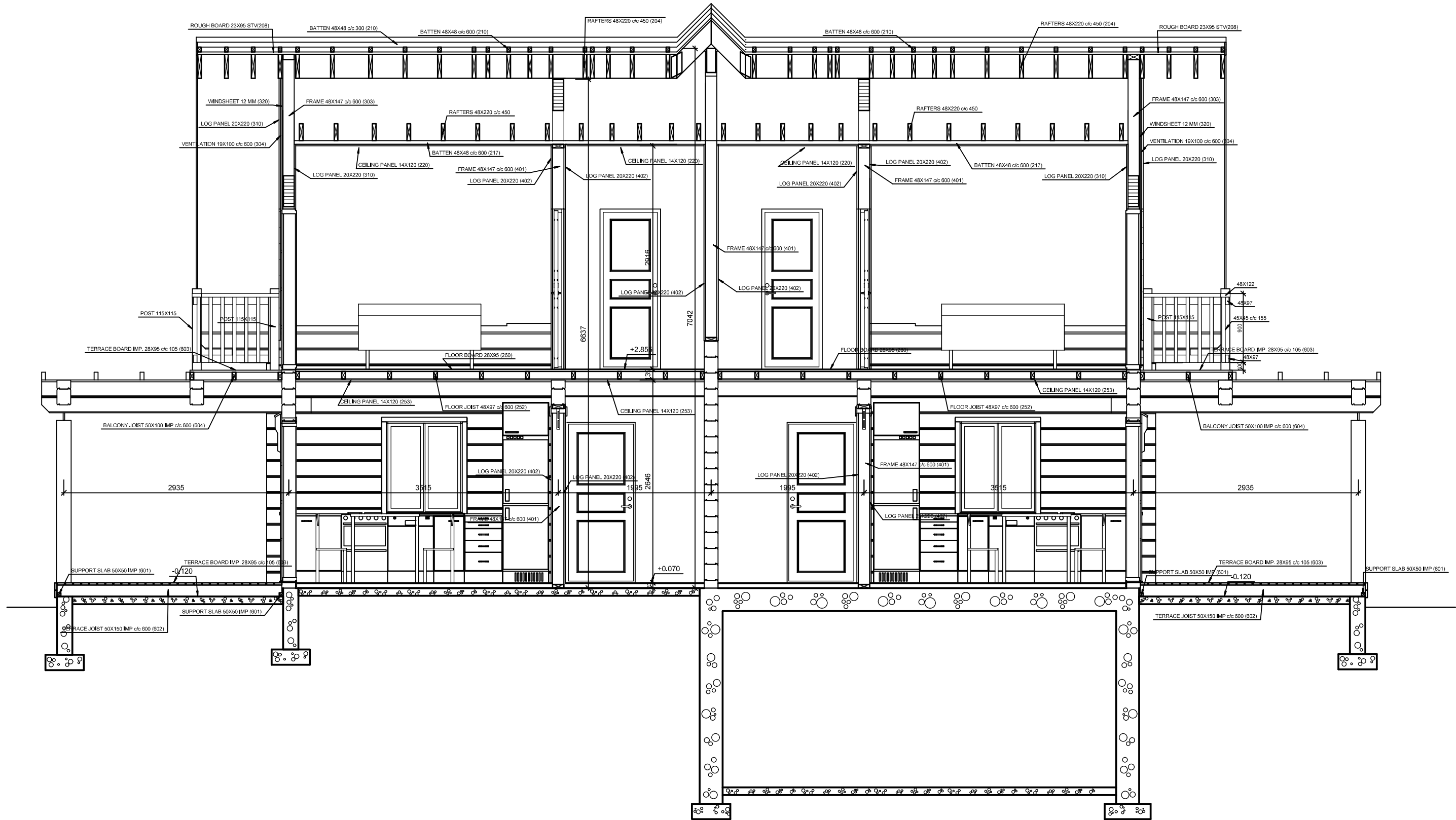
OBJEKT "DUPLO"



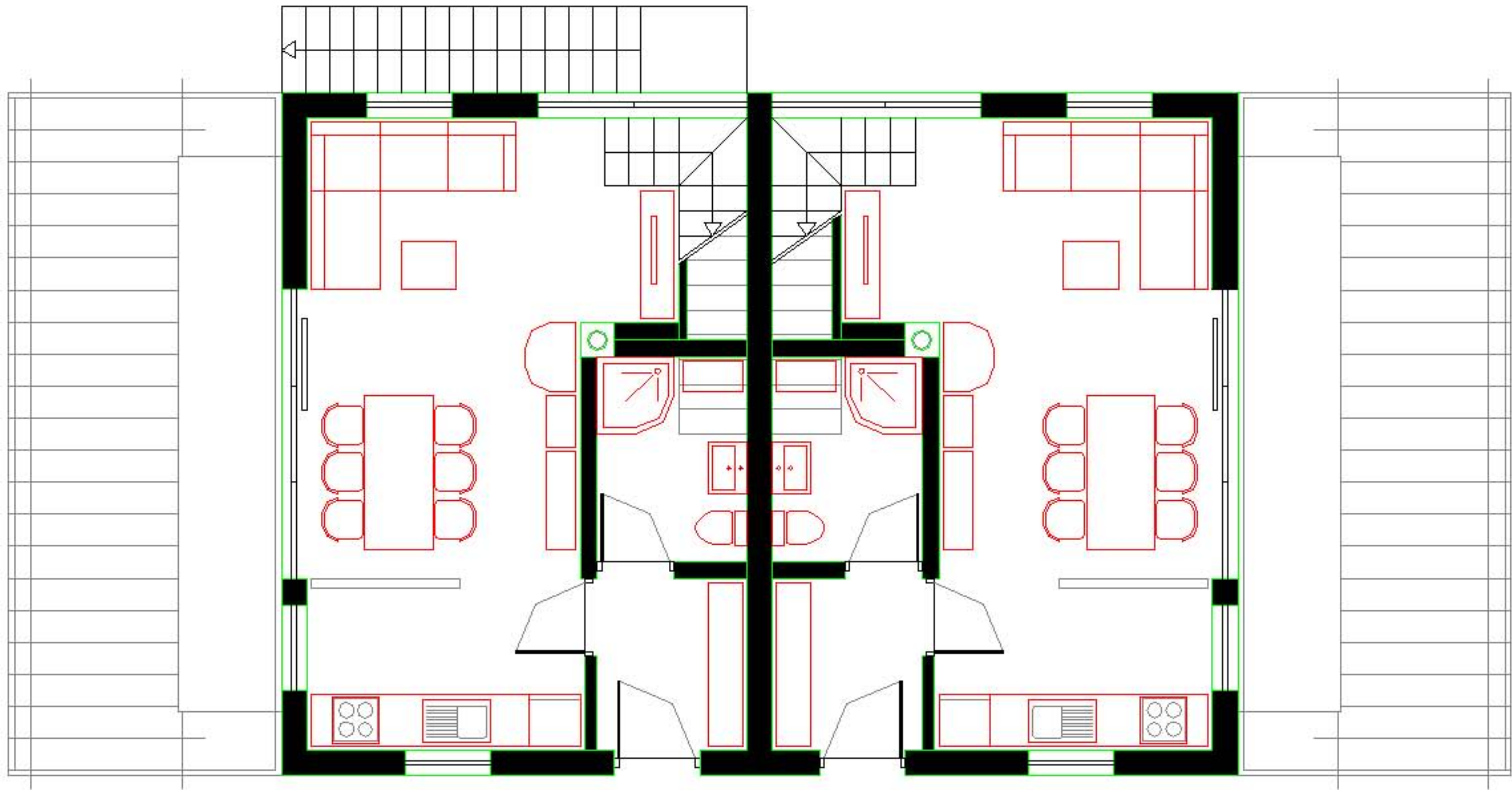
OBJEKT "DUPLO"



OBJEKT "DUPLO"



OBJEKT "DUPLO"



OBJEKT "DUPLO"

